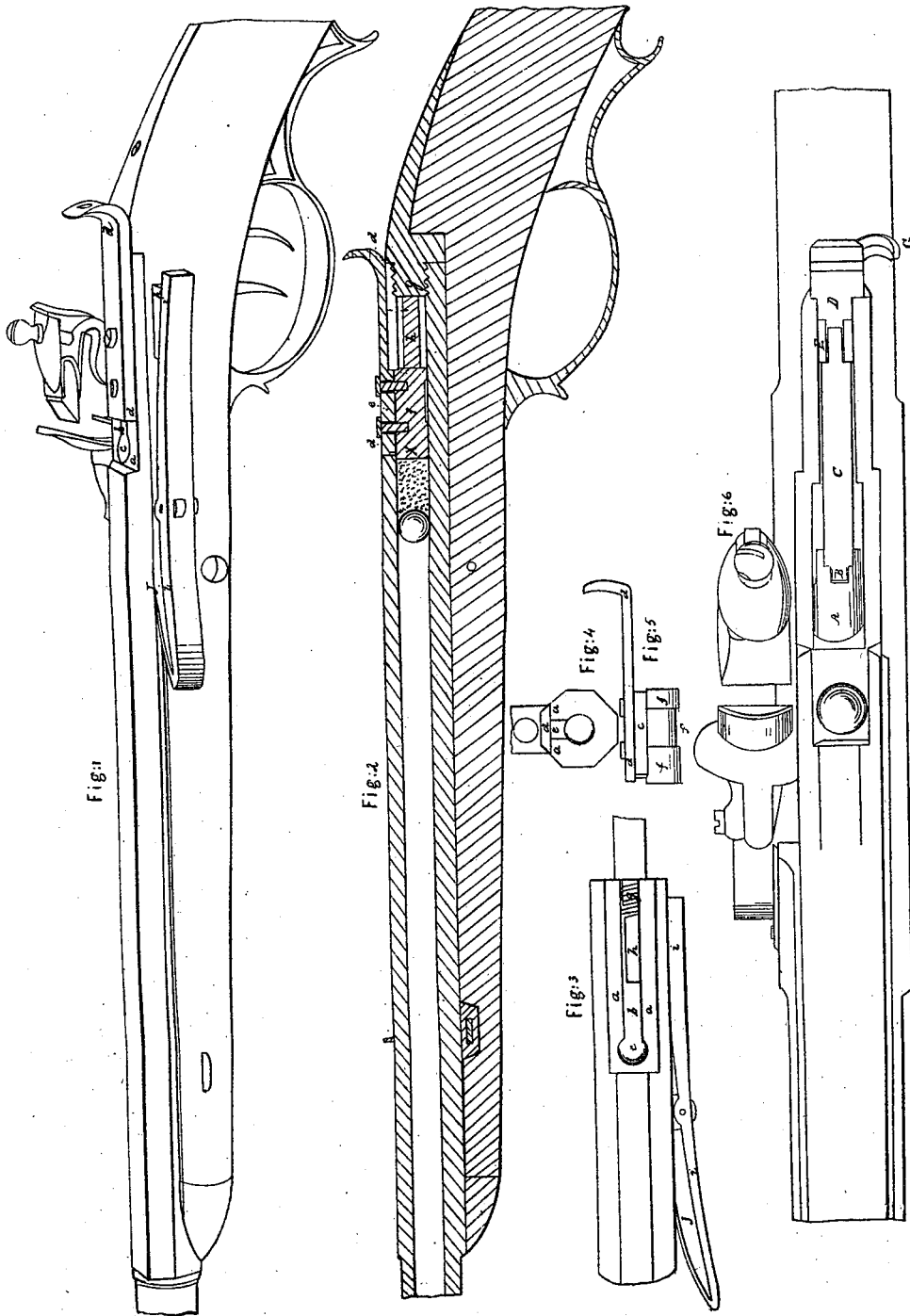


W. JENKS.
Breech-Loading Fire-Arm.

Patented May 25, 1888.

No. 747.

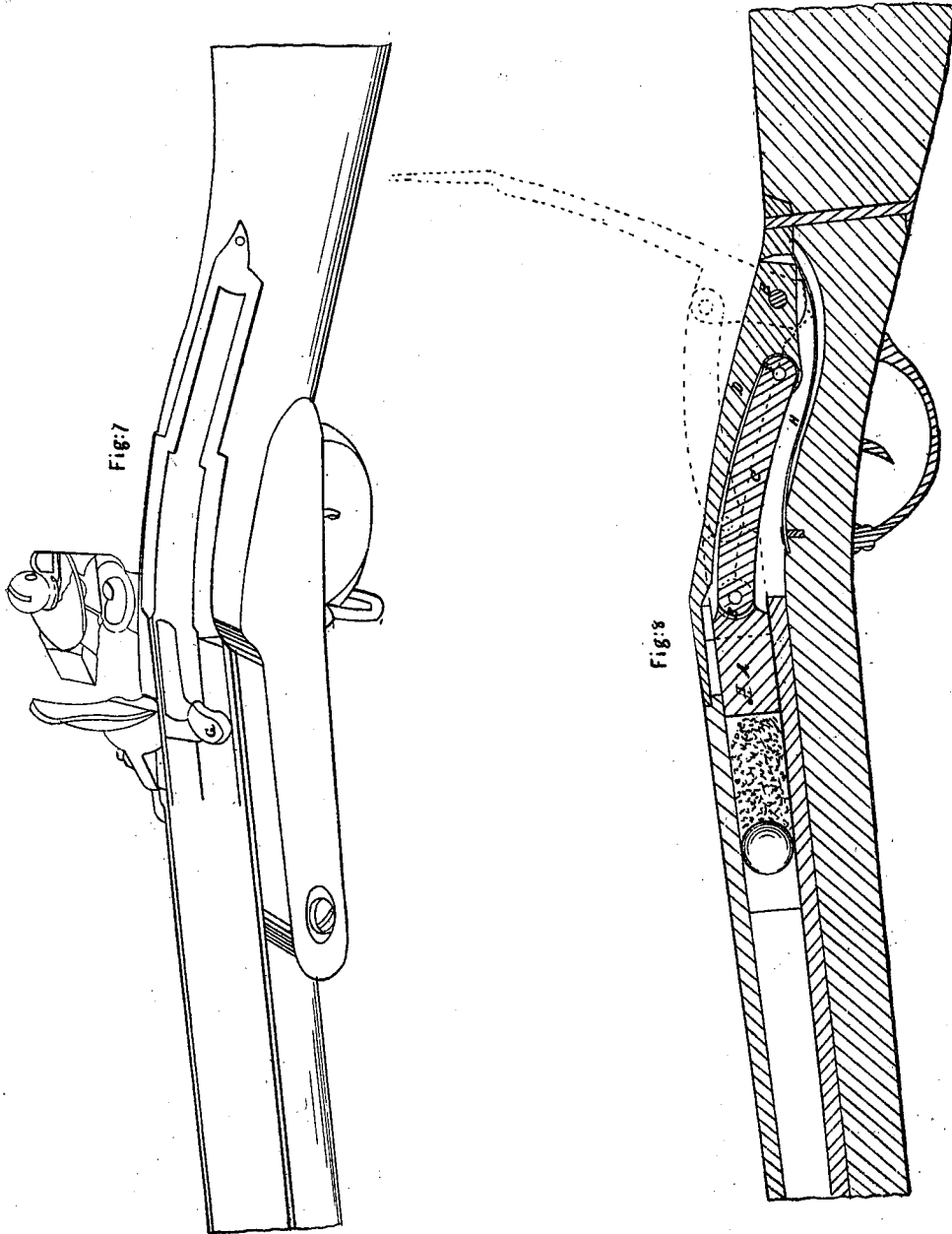


W. JENKS.

Breech-Loading Fire-Arm.

No. 747.

Patented May 25, 1883



UNITED STATES PATENT OFFICE.

WILLIAM JENKS, OF COLUMBIA, SOUTH CAROLINA.

IMPROVEMENT IN FIRE-ARMS.

Specification forming part of Letters Patent No. 747, dated May 25, 1838.

To all whom it may concern:

Be it known that I, WILLIAM JENKS, of Columbia, in the district of Richland and State of South Carolina, have invented an Improvement in the Manner of Constructing Fire-Arms of Various Kinds; and I do hereby declare that the following is a full and exact description thereof.

My improvement consists in a new mode of constructing such fire-arms as are made to load at the breech, and the accompanying drawings represent it as applied to a rifle, common gun, or fire-arms in general, the general construction being the same with whatever kind of fire-arms it may be used.

The different figures are drawn of the ordinary size of a rifle or gun. Figure 1 is a perspective view of all that part of the piece which it is necessary to represent; Fig. 2, a vertical section through the middle of the same; Fig. 3, a top view of the breech, with the slide removed; Fig. 4, a cross-section through the slide and barrel, and Fig. 5 a side view of the slide and plug.

In each of these figures like parts are designated by the same letters of reference.

A part of the upper side of the barrel, toward the breech, is removed, as shown at *a*, Fig. 1, for the length of about two inches and a quarter, and along the middle of this an opening is made into the bore of the barrel, and in width equal to about three-fourths of the diameter of said bore. This opening is marked *b*. At its forward end, *c*, it is opened out circularly, so as to be of the diameter of the bore. The part into which it opens constitutes the chamber for receiving the charge and should exceed the diameter of the general bore of the barrel about one-sixteenth of an inch. The opening thus made is covered by a slide, *dd*, upon the lower side of which there is a tongue, *e*, which fits into the opening, and slides freely within it. A steel plug or sliding cylinder, *ff*, which fits the chamber with great exactness and slides within it, is attached by screws to the slide above described, as

shown in the drawings. The steel plug and the tongue of the slide to which it is attached are about one-half of the length of the opening into the barrel, but the plug or cylinder projects forward about three-sixteenths of an inch, and when the slide is pushed forward the plug passes to that distance within the bore beyond the opening. I sometimes reduce the plug about the middle, as at *f'*, to reduce the friction and to form a chamber for oil. Another opening or mortise is made through the side of the barrel, extending forward from the breech-pin *g* to one-half the length of the opening in the top. This side opening may be five-sixteenths of an inch in width. Its use is to admit a stop or chock piece, *h*, to pass in behind the steel plug *f* when the latter is forced forward. Said stop fills the space between the plug and the breech-pin, holding the former firmly in its place. A lever, *i i*, working on a joint at the side of the barrel, and from which the stop or chock projects, has a spring, *j*, at its forward end, to force the stop into its place, and consequently admitting of its being removed by making pressure on that end. When the piece is to be loaded, the stop is removed from behind the plug and the slide withdrawn. The ball is then dropped in at the opening *c*, and, by depressing the muzzle of the piece, this rolls forward to the fore end of the chamber. The charge of powder is then poured in and the slide forced forward, an operation which can be performed with great rapidity. Either a flint or percussion lock may be used with equal convenience.

What I claim as of my invention, and desire to secure by Letters Patent, is—

The combination of the slide, plug, and stop, operating and constructed substantially in the manner and for the purpose herein set forth.

WM. JENKS.

Witnesses:

C. H. WILTBERGER,
LINTON THORN.