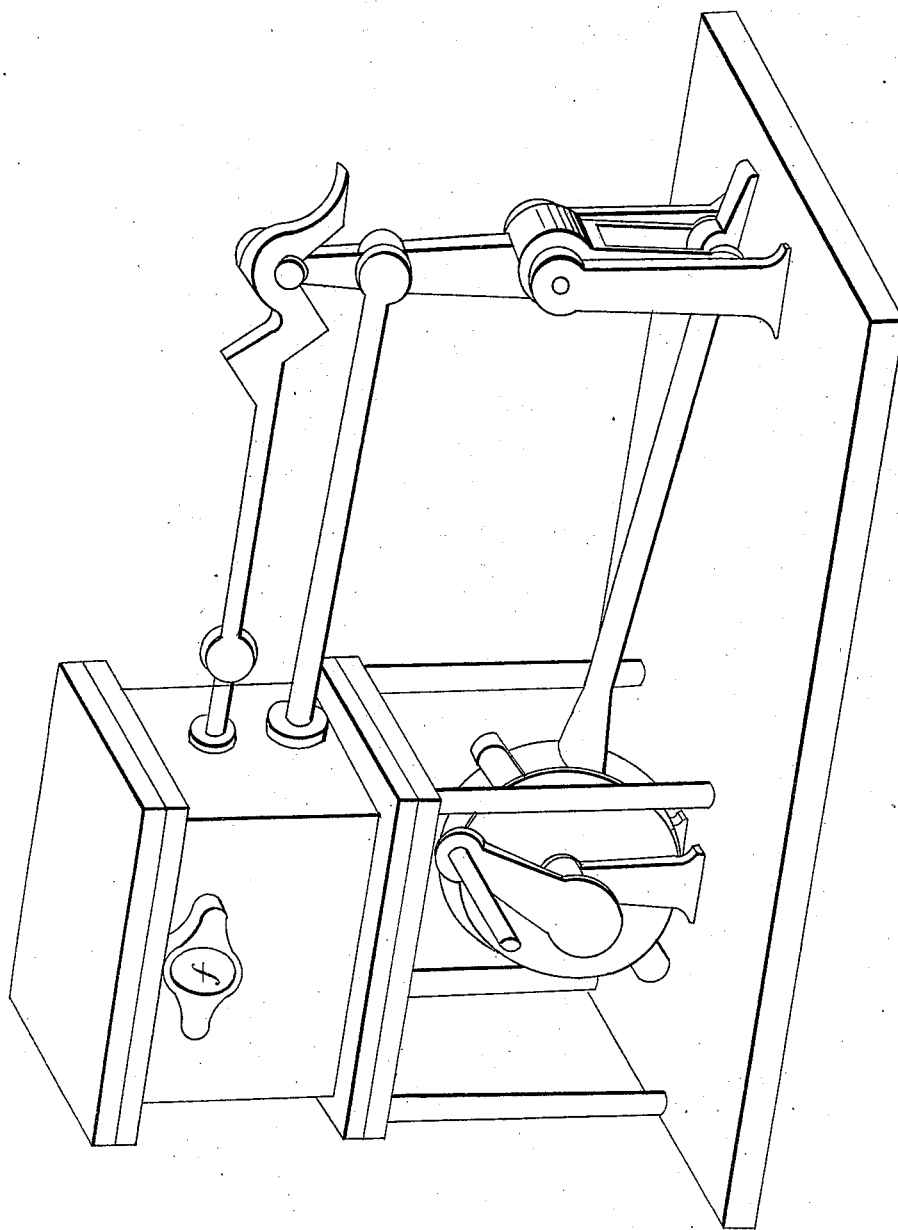


H. T. Peake,
Steam-Engine Valve-Gear.
N^o 5,310. Patented Sep. 25, 1847.



UNITED STATES PATENT OFFICE.

HENRY T. PEAKE, OF CHARLESTON, SOUTH CAROLINA.

OPERATING CUT-OFF VALVES.

Specification of Letters Patent No. 5,310, dated September 25, 1847.

To all whom it may concern:

Be it known that I, HENRY T. PEAKE, of Charleston, in the district of Charleston of the State of South Carolina, have invented
5 a new and Improved Plan of Working Cut-Off Valves; and I do hereby declare that the following is a full and exact description.

To enable others skilled in the art to make and use my invention I will proceed to describe its construction and operation.
10

I construct the steam chest high enough to admit of two valves, and a plate, the letter A, in the drawing represents the main slide valve, the letter B, represents a plate let in
15 from the top, forming a seating for cut off valve C, resting on a ledge formed around the inside of chest, and fastened down with set screws from the cover of chest. In the
20 center of plate B, there is an opening represented in the drawing by D, larger than the steam opening in the cylinder, so as there will be no obstruction to the steam passing in when the cut off valve is thrown off. In

the center of cut-off-valve C, there is an opening represented by E, the same size as
25 that in B. The opening in the side of chest as represented by F, is for the steam pipe. The opening on the top of cut off rod, as represented by G, is to hook on a pin attached to the boiler or frame as is most con-
30 venient, it will be thrown off and on in the usual way. The pin is so arranged on the boiler or frame as to throw the openings D, and E, together.

The valves A, and C, are worked from
35 the same eccentric H, and arm I, as is represented in the drawing.

What I claim as my invention, and desire to secure by Letters Patent, is—

The working of the cut off valve with the
40 same eccentric and arm as the slide valve.

HENRY T. PEAKE.

Witnesses:

E. F. RENWORTH,
T. OGIN SMITH.