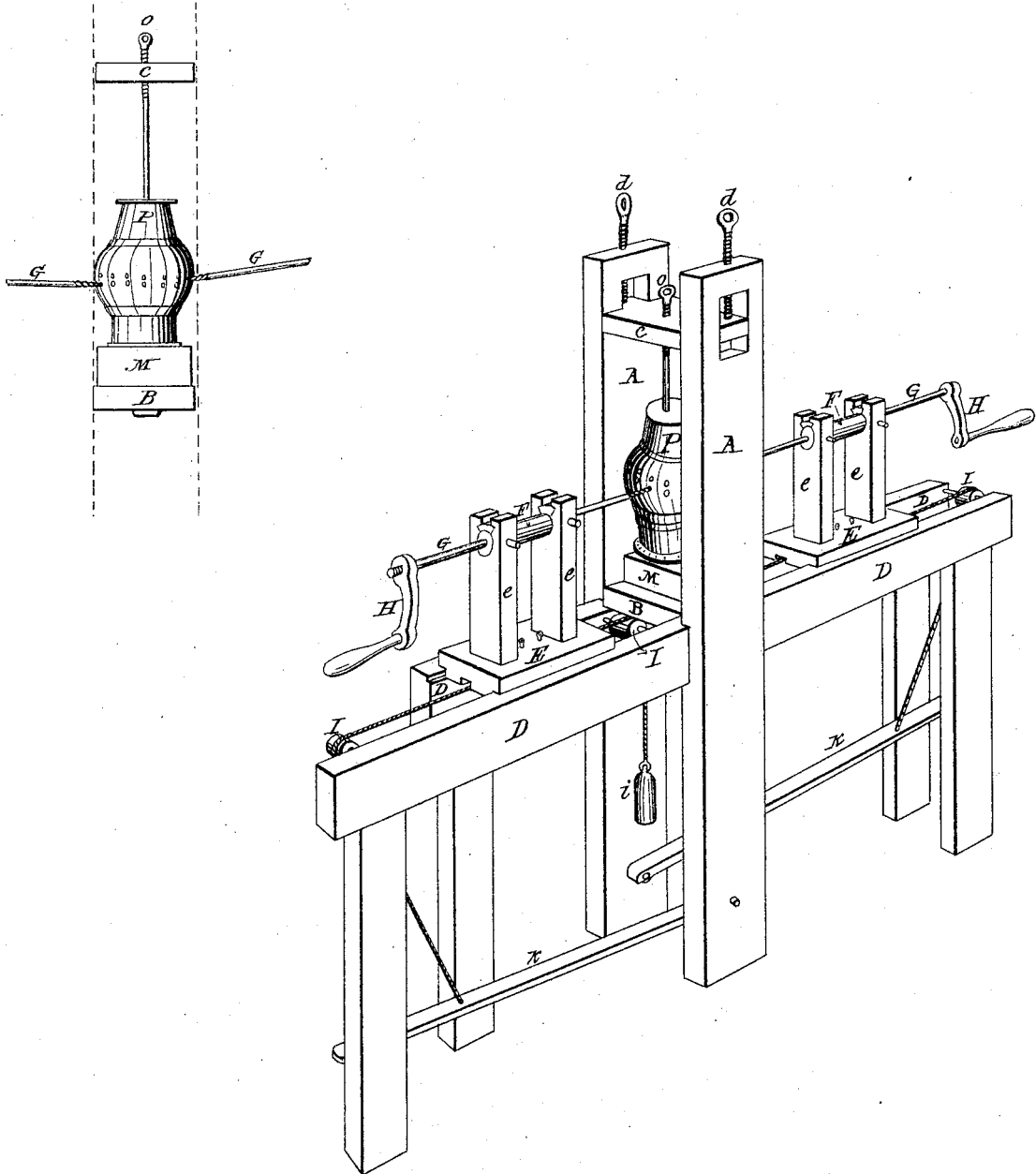


4664X

*J. Sitton,*  
*Wheelwrights' Machine.*  
*Patented Feb. 15, 1827.*





# United States Patent Office

PTO - BOYERS, PA Duty Station

---

## MISSING PAGE TEMPORARY NOTICE

PATENT # 4664X FOR ISSUE DATE 2-15-1827

HAS BEEN SCANNED, BUT WITH MISSING PAGE(S). UPON RECEIVING  
OF MISSING PAGE(S), THE ENTIRE DOCUMENT WILL BE RESCANNED.

PLEASE CALL IMAGE DATA ADMINISTRATION STAFF OF 557-6154 IF  
YOU HAVE A QUESTION. ASK FOR DAVE GROOMS, ANITA YOUNG OR  
POLA JONES.

THIS NOTICE IS FOR THE MISSING PAGE CONTAINING:

COLUMN # All Text

## Data Conversion Operation

Boyers, Pa