

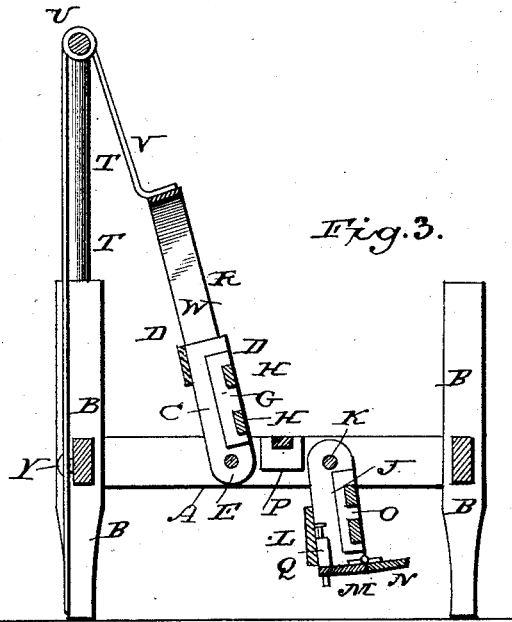
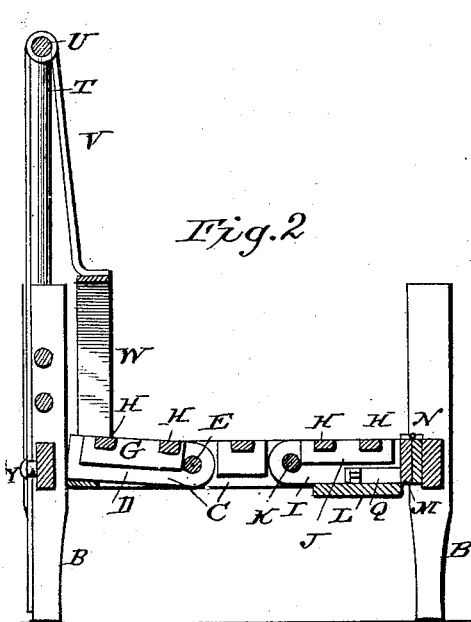
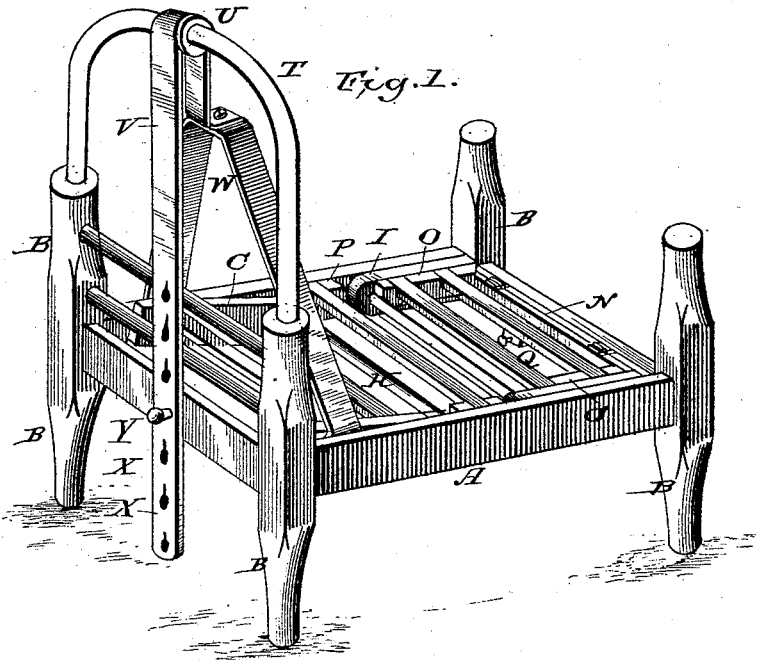
(No Model.)

J. M. KIRBY & C. M. LITTLEJOHN.

BEDSTEAD.

No. 317,376.

Patented May 5, 1885.



WITNESSES:

Fred. L. Dieterich
Witness

By *Louis Baggert & Co.*

INVENTORS,

John M. Kirby
Charles M. Littlejohn
 ATTORNEYS.

UNITED STATES PATENT OFFICE.

JOHN M. KIRBY AND CHARLES M. LITTLEJOHN, OF PACOLET, S. C.

BEDSTEAD.

SPECIFICATION forming part of Letters Patent No. 317,376, dated May 5, 1885.

Application filed October 14, 1884. (No model.)

To all whom it may concern:

Be it known that we, JOHN M. KIRBY and CHARLES M. LITTLEJOHN, both of Pacolet, in the county of Spartanburg and State of South Carolina, have invented certain new and useful Improvements in Bedsteads; and we do hereby declare that the following is a full, clear, and exact description of the invention, which will enable others skilled in the art to which it appertains to make and use the same, reference being had to the accompanying drawings, which form a part of this specification, and in which—

Figure 1 is a perspective view of our improved convertible bedstead. Fig. 2 is a longitudinal vertical section of the same; and Fig. 3 is a similar view of the same, showing it converted into a chair.

Similar letters of reference indicate corresponding parts in all the figures.

Our invention has relation to convertible bedsteads; and it consists in the improved construction and combinations of parts of the same, as hereinafter more fully described and claimed.

In the accompanying drawings, the letter A indicates the rectangular bed-frame, which is of the usual construction, and supported upon four posts or legs, B, in the usual manner. The side pieces, C, of the head-frame D are pivoted at their inner ends upon a transverse rod, E, passing through the side pieces of the bed-frame, and they are provided upon their inner sides with notched cleats G, for the reception of the ends of the cross-slats H. The side pieces, I, of the foot-frame, J, are likewise pivoted at their inner ends upon a transverse rod, K, and are connected at their lower edges by a board, L, and at their outer ends by a foot-board, M, having another board, N, hinged to its upper edge. The inner sides of the side pieces of the foot-frame are provided with notched cleats O, for the reception of the cross-slats, and the side pieces of the bed-frame have also notched cleats P, secured to their inner sides between the inner ends of the hinged head and foot frames for the reception of the slats forming the seat of the chair when the bed is con-

verted. The foot-board of the foot-frame is provided with a spring-catch, Q, which engages a suitable notch or recess in the foot-board of the bed, and which thus may support the foot-frame in its horizontal position. An arched upright frame, T, is secured to the posts at the head end of the bed, and has a pulley, U, at its upper end, over which pulley a strap, V, passes, one end of which strap is secured to the middle of a strap, W, secured at its ends to the free ends of the side pieces of the head-frame, while the other end of the strap has a number of perforations, X, which may be buttoned over a bottom or lug, Y, projecting from the head-board of the bed. It will thus be seen that by releasing the catch of the foot-frame, the said frame may be swung down, and the hinged foot-board of the same may be folded out, whereupon the head-frame may be raised by the strap and adjusted by buttoning the strap in its appropriate button-hole. It follows that the head-frame may be raised alone for the purpose of raising the patient in the bed when food or medicine is to be administered, and that the strap is very useful for this purpose, by allowing the head and body of the patient to be perfectly and fully supported, and avoiding all handling of the patient, which is at times disagreeable for the patient, and in case of contagious diseases dangerous for the nurse.

Having thus described our invention, we claim and desire to secure by Letters Patent of the United States—

1. In a convertible bedstead, the combination of the frame having the upright frame provided with a pulley at its top at the head end and having the lug or button at the head-board, the hinged head-rest, and the strap having its bifurcated ends secured to the side pieces of the head-rest and having the other end provided with a series of holes fitting over the lug or button upon the head-board, as and for the purpose shown and set forth.

2. The convertible bedstead consisting of the frame having the upright frame provided with a pulley at its top at the head end and having the lug or button at the head-board, the hinged foot-frame having the hinged foot-

board, and the spring-catch engaging the foot-
board of the bed-frame, the hinged head-frame,
and the strap having its bifurcated ends se-
cured to the ends of the head-frame and hav-
5 ing its other end provided with a series of per-
forations fitting upon the lug or button at the
head-board of the bed, as and for the purpose
shown and set forth.

In testimony that we claim the foregoing as
our own we have hereunto affixed our signa- 10
tures in presence of two witnesses.

JOHN M. KIRBY.

CHARLES M. LITTLEJOHN.

Witnesses:

W. F. BRYANT,

ISAAC J. NEWBERY.