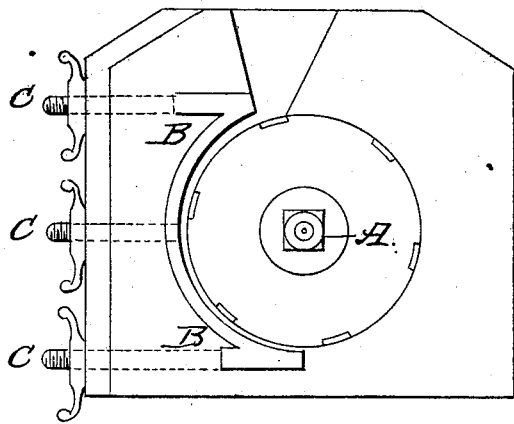


T. BOOKMAN.  
Smut Machine.

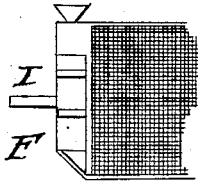
No. 3,118.

Patented June 3, 1843.

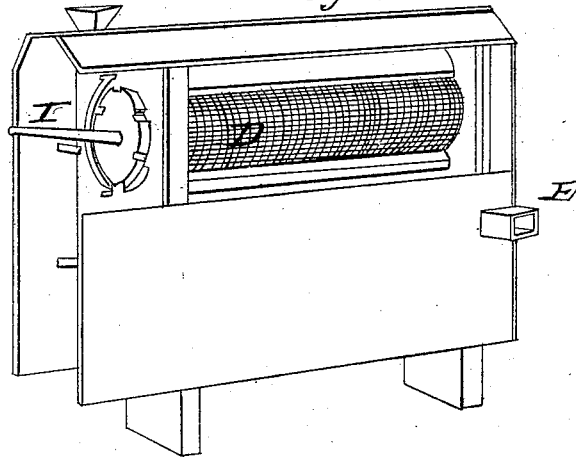
*Fig. 1*



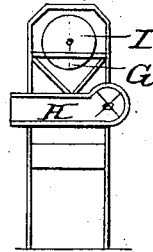
*Fig.*



*Fig. 2*



*Fig. 4*



# UNITED STATES PATENT OFFICE.

THOMAS BOOKMAN, OF LEXINGTON DISTRICT, SOUTH CAROLINA.

SMUT-MACHINE.

Specification of Letters Patent No. 3,118, dated June 3, 1843.

*To all whom it may concern:*

Be it known that I, THOMAS BOOKMAN, of Lexington district and State of South Carolina, have invented a new and improved  
5 Machine for Cleaning Smut and other Dust from the Grains of Wheat before the Same is Ground or Used for Seed; and I do hereby declare that the following is a full and exact description.

10 The nature of my invention consists in a circular piece of iron, or other substance, represented by A, Figure 1, made about an inch and a fourth thick and about five and a half in diameter, with recesses cut in the  
15 edge about half the thickness or depth of a grain of wheat, and about one half or five eighths of an inch wide. This revolves close to a semicircle of iron represented by B, B, Fig. 1, which is kept in its proper place by  
20 the screws C, C, C, so as to allow the grains lodging in the recesses of the circular piece A to be carried along in the semicircle B, B, to its lower extremity, rubbing the smut off the grains by its pressure against the inner  
25 surface of the semicircle, whence the grain is delivered into and received by the sta-

tionary cylindrical wire screen, D, Fig. 2, as represented at F, Fig. 3. Through the center of this screen passes a wooden cylinder I with brushes set around it in a spiral  
30 direction, which throw out as the cylinder revolves every substance less than the grain, and at the same time from their spiral direction and the inclination of the cylinder toward the end of the screen at G, Fig. 4,  
35 the grain is carried out at the end G, Fig. 4, and falls through an aperture H, Fig. 4, where the wings of a fan keep a current of air and blow out the chaff, &c., at E, Fig. 2.

What I claim as my invention and desire  
40 to secure by Letters Patent is—

The application of the circular piece of metal A, Fig. 1, revolving in the embrace of the semicircle B, B, Fig. 1, to rub the  
45 smut off the grain and in combination there- with the revolving brushes placed in a spiral direction on the cylinder in the stationary screen.

THOMAS BOOKMAN.

Witnesses:

ALEX. R. TAYLOR,  
R. F. RAWLS.