

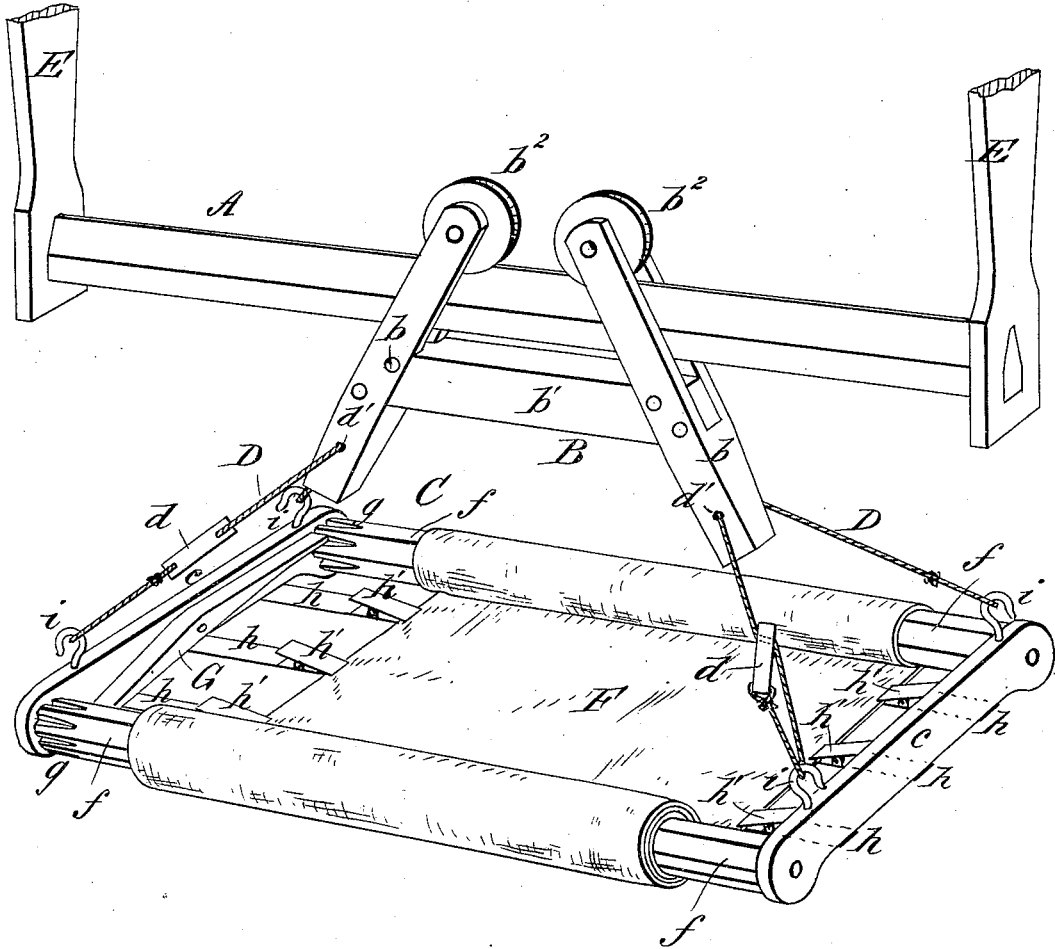
(No Model.)

W. G. HUMPHREYS.

QUILTING ATTACHMENT FOR SEWING MACHINES.

No. 303,854.

Patented Aug. 19, 1884.



WITNESSES:

*Donn Twitchell*  
*W. Sedgwick*

INVENTOR:

*W. G. Humphreys*  
BY *Munn & Co*  
ATTORNEYS.

# UNITED STATES PATENT OFFICE.

WILLIAM G. HUMPHREYS, OF SENECA, SOUTH CAROLINA, ASSIGNOR TO  
HIMSELF AND WILEY H. STANTON, OF SAME PLACE.

## QUILTING ATTACHMENT FOR SEWING-MACHINES.

SPECIFICATION forming part of Letters Patent No. 303,854, dated August 19, 1884.

Application filed April 4, 1884. (No model.)

*To all whom it may concern:*

Be it known that I, WILLIAM G. HUMPHREYS, of Seneca, in the county of Oconee and State of South Carolina, have invented a new and Improved Quilting Attachment for Sewing-Machines, of which the following is a full, clear, and exact description.

The invention consists of the special arrangement and construction of the parts of the frame, all as hereinafter described and claimed.

Reference is to be had to the accompanying drawing, forming part of this specification, which is a perspective view of my new and improved quilting-frame arranged for use.

A represents an elevated rail or track; B, a roller attachment placed thereon, and C represents the quilting-frame, which is suspended from the lower ends of the side pieces *b b* of the roller attachment B by the cords D D, which are made adjustable by the grip-blocks *d d*, or by other suitable means for raising or lowering the frame C as circumstances require.

The rail or bar A in this instance is attached to the ceiling overhead by the hangers E E; but instead it might be attached to the walls, door or window casing, or supported upon suitable uprights resting upon the floor.

The roller attachment B is composed in this instance of the side pieces *b b* above mentioned and the cross-piece *v*, to which the side pieces *b b* are attached in such manner as to diverge downward and away from each other. The side pieces *b b* are bifurcated at their upper ends and straddle the bar A, and have the grooved wheels *b<sup>2</sup> b<sup>2</sup>*, journaled between the parts thereof, so as to run upon the upper edge of the bar A, as shown clearly in the drawing. The lower ends of the side pieces *b* have in this instance the holes *d d* made through them for the passage of the suspending-cords D D; but other ordinary means for attaching the cords D D might be used, if desired.

The quilting-frame C is composed of the

side pieces *c c* and the rollers *f f*, that are journaled in and between the side pieces *c c* at their ends.

The goods F to be quilted are placed upon the rollers *f f* and attached by hooks or nails, and these rollers are then rolled in opposite directions to draw the goods taut lengthwise, the rollers being held from backward movement by the double-acting pawl G, pivoted to the inner surface of one of the side pieces *c*, the ends of which pawl engage simultaneously with the ratchets *g g*, attached to or formed upon corresponding ends of the rollers *f f*. The goods F are drawn taut edgewise by the elastics *h h*, secured at one end to the opposite side pieces *c c*, and provided at the other end with the spring-clamps *h' h'*, which are adapted to grasp and hold the opposite edges of the goods. The upper edges of the side pieces *c c* are provided with the hooks *i i*, by which the cords D D are attached to the frame C for suspending it from the roller attachment B.

In use the goods to be quilted will be attached to the frame C, as shown in the drawing, and then one of the rollers *f* will be passed under the needle-arm of the sewing-machine, and the sewing-machine set in motion, the frame C being moved backward and forward and the goods shifted by rolling and unrolling the rollers *f* as the quilting proceeds. In this manner the work may be very easily and rapidly done.

Having thus described my invention, I claim as new and desire to secure by Letters Patent—

The combination, with the rollers *f f*, journaled in frame C, and having ratchets *g g* at their ends, of the double-acting pawl G, pivoted centrally to the frame between said rollers, with its ends engaging the ratchets, substantially as shown and described.

WILLIAM G. HUMPHREYS.

Witnesses:

F. A. HOKE,  
A. N. HAYS.