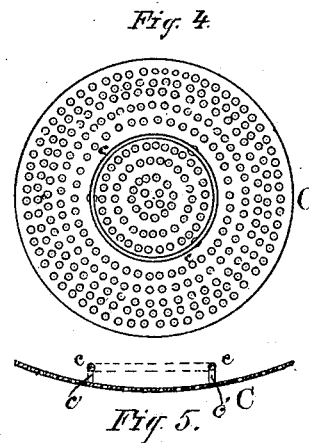
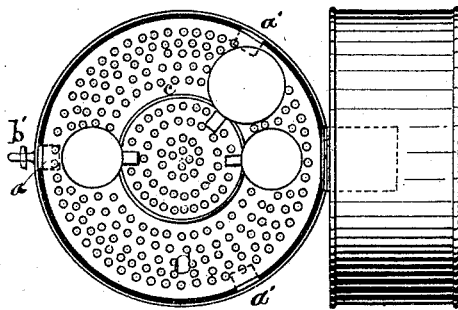
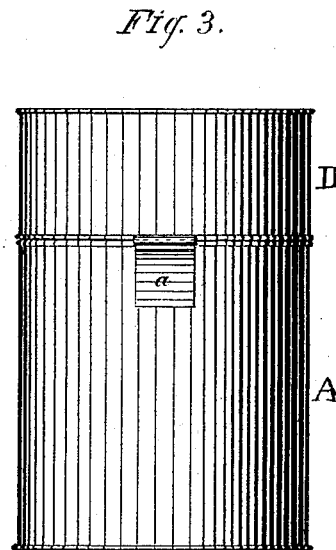
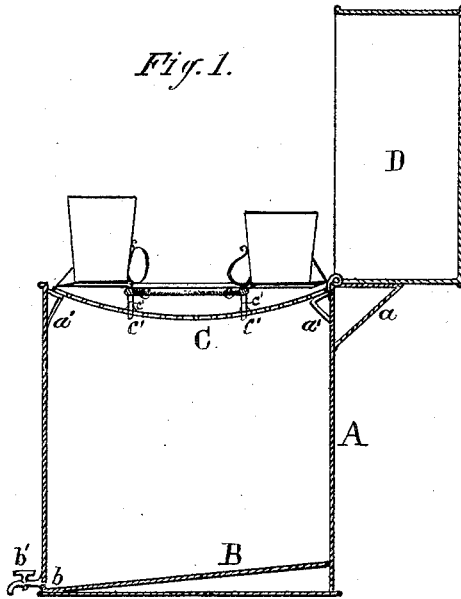


(Model.)

H. C. MOSELEY.  
Dripping Can.

No. 232,141.

Patented Sept. 14, 1880.



Witnesses  
Lang H. Edwards  
J. Edwards

Inventor  
Harrison C. Moseley  
Per Ireland S. Singleton  
*[Signature]*

# UNITED STATES PATENT OFFICE.

HANDSON C. MOSELEY, OF PROSPERITY, SOUTH CAROLINA.

## DRIPPING-CAN.

SPECIFICATION forming part of Letters Patent No. 232,141, dated September 14, 1880.

Application filed June 3, 1880. (Model.)

*To all whom it may concern:*

Be it known that I, HANDSON C. MOSELEY, a citizen of Prosperity, residing at Prosperity, in the county of Newberry and State of South Carolina, have invented certain new and useful Improvements in Dripping-Cans; and I do hereby declare the following to be a full, clear, and exact description of the invention, such as will enable others skilled in the art to which it appertains to make and use the same, reference being had to the accompanying drawings, and to letters or figures of reference marked thereon, which form a part of this specification.

This invention relates to drip-cans for the purpose of saving the drippings from measures used in stores for oil, molasses, and other liquids; and it consists in the construction of the can, which will be hereinafter more fully described, and set forth in the claim.

In the drawings, Figure 1 represents a vertical section of the can, and Fig. 2 is a top view of the perforated shelf seated within the top of the can, the cover being open. Fig. 3 is a rear elevation, showing the support for the cover. Figs. 4 and 5 are the plan view and section of the removable perforated shelf.

A is the can, made of any convenient size and proportions as to height and diameter to suit the purpose for which it is to be employed. In the bottom a sloping lining is used, as at B, so as to drain all the liquid to one point, *b*, where there is a spigot, *b'*, for drawing it off.

C is a removable circular and perforated dripping-plate, supported on brackets *a'*, made concave somewhat, and has around it, at a convenient distance from the margin, a circular bail-wire, *c*, supported on suitable standards *c'* on the perforated shelf C, the purpose of which is to rest the handles of the measures upon it to keep them out of the drippings when they are turned down, as represented in the drawings, Fig. 1.

D is the cover, which, when turned up, rests upon a bracket, *a*, on the outside of the can A. The measures and funnels, when resting upon the bail-wire *c*, are so far within that the cover can be shut down over them.

The shelf C is made removable for the purpose of cleansing it.

I claim—

A dripping-can having a sloping bottom, a spigot at the lowest side, a removable concave perforated dripping-shelf having on it a circular bail-wire for supporting the measures, and a bracket for supporting the cover when open, all constructed substantially as and for the purpose described.

In testimony whereof I affix my signature in presence of two witnesses.

HANDSON C. MOSELEY.

Witnesses:

A. H. WHEELER,  
J. W. BOWERS.