

W. G. REID.

Plow.

No. 207,895.

Patented Sept. 10, 1878.

Fig: 1.

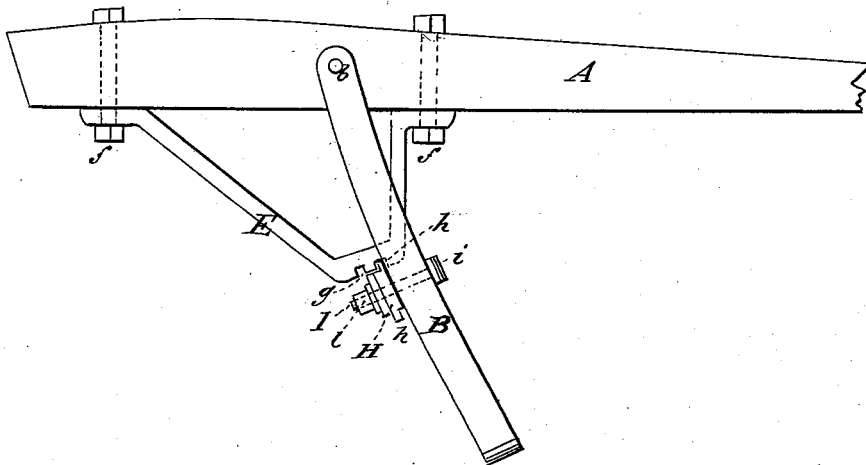
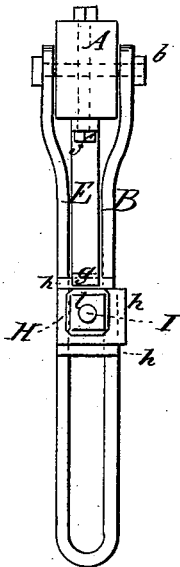


Fig: 2.



WITNESSES:

Chas. Nida
W. Sedgwick

INVENTOR:

W. G. Reid
BY *Mumford*

ATTORNEYS.

UNITED STATES PATENT OFFICE.

WILLIAM G. REID, OF ROCK HILL, SOUTH CAROLINA, ASSIGNOR TO HIMSELF
AND JAMES M. IVY, OF SAME PLACE.

IMPROVEMENT IN PLOWS.

Specification forming part of Letters Patent No. **207,895**, dated September 10, 1878; application filed
July 25, 1878.

To all whom it may concern:

Be it known that I, WILLIAM GREGG REID, of Rock Hill, in the county of York and State of South Carolina, have invented a new and useful Improvement in Plows, of which the following is a specification:

My invention relates to a means for adjusting the standard of a plow nearer to or farther from a vertical line, in order to regulate the depth of the furrow.

The invention consists in a novel construction, with the plow-beam, of the standard, a brace or stay for the same, and a fastening device for connecting them, whereby provision is made for readily and quickly adjusting the standard to different positions, and all the parts are strengthened.

In the accompanying drawing, Figure 1 is a side view of a plow embodying my improvements. Fig. 2 is a rear view of the same.

Similar letters of reference indicate corresponding parts.

A represents a plow-beam of any suitable construction. B represents the standard, which is here shown as of loop-like form, being composed of a piece of bar-iron bent midway of its length, and having its ends attached to the plow-beam by a bolt, *b*, passing through perforations near its ends and through the plow-beam.

To the under side of the plow-beam is attached a brace or stay for the standard. It is composed of a strap or bar of iron, E, bent into an approximate rhomboidal form, and having its ends perforated for the reception of bolts *f*, passing through them and through the

plow-beam A, by which means the brace or stay is firmly secured in position. The lowest edge and shortest side of the rhomboidal brace or stay is provided with notches *g*.

In the rear of the slot-like open portion of the standard B works a block, H, (of wood or iron, as preferred,) provided with three ribs or tongues, *h*, for engagement with the notches *g*. Through this block passes a bolt, I, having a flat head, *i*, which bears against the front side or edge of the standard B, and provided with a nut, *l*, which bears against the rear side of the block H. By loosening the nut *l* the block may be turned so as to cause either of its ribs *h* to engage with either of the notches *g* in the brace or stay, and then, by tightening the nut, the standard is held firmly in position.

As the three ribs or tongues *h* are arranged at different points with relation to the thickness of the block H, the standard may be adjusted with the greatest nicety.

Having thus described my invention, I claim as new and desire to secure by Letters Patent—

The combination, with a plow-beam and a standard constructed as described, of the brace or stay provided with notches *g*, the block H, provided with the ribs or tongues *h*, and a fastening-bolt and nut, substantially as and for the purpose herein shown and set forth.

WILLIAM GREGG REID.

Witnesses:

G. A. ANDERSON,
J. E. SADLER.