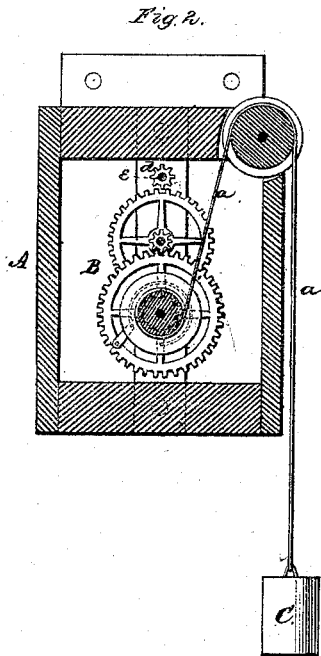
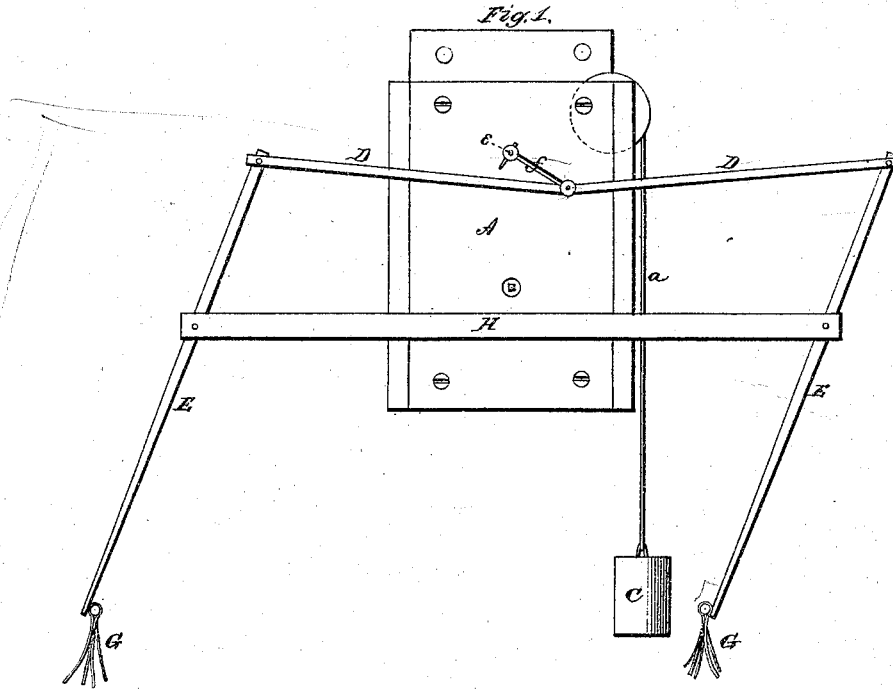


F. W. JONES.
Automatic Fans.

No. 137,687.

Patented April 8, 1873.



Witnesses:
John A. Ellis
Wm. H. Ellis

Inventor
Frederick W. Jones
Per
S. D. Alexander & Co
Attys.

UNITED STATES PATENT OFFICE.

FREDERICK W. JONES, OF ORANGEBURG, SOUTH CAROLINA.

IMPROVEMENT IN AUTOMATIC FANS.

Specification forming part of Letters Patent No. **137,687**, dated April 8, 1873; application filed February 17, 1873.

To all whom it may concern:

Be it known that I, FREDERICK W. JONES, of Orangeburg Court House, in the county of Orangeburg and State of South Carolina, have invented certain new and useful Improvements in Device for Keeping Flies away from Tables, &c.; and I do hereby declare that the following is a full, clear, and exact description thereof, reference being had to the accompanying drawing and to the letters of reference marked thereon which form a part of this specification.

The nature of my invention consists in the construction and arrangement of a device for keeping off flies, as will be hereinafter more fully set forth.

In order to enable others skilled in the art to which my invention appertains to make and use the same, I will now proceed to describe its construction and operation, referring to the annexed drawing, in which—

Figure 1 is a front view, and Fig. 2 is a vertical section, of my invention.

A represents a box or case of any suitable dimensions, which is to be attached in a vertical position to a board in the ceiling, or any other desired location. Within this box is a clock-work, B, run by a weight, C, and cord, *a*. This cord is intended to be run over suitable pulleys to the outside of the house, or in any other position so as to be out of sight. The shaft *e* of the last pinion *d* of the clock-

work extends through the front of the box, and is on its front end provided with a crank, *f*, which connects with the inner ends of two pitmen, D D, running in opposite directions, the outer ends of said pitmen being pivoted to levers E E. These levers are pivoted in the ends of a bar, H, attached to the front side of the box, and each lever has on its lower end a brush, G. By winding up the clock-work B the weight C will cause the crank *f* to revolve and give the brushes a reciprocating motion. As many brushes may be used as desired by adding levers and pitmen and increasing the weight.

Having thus fully described my invention, what I claim as new, and desire to secure by Letters Patent, is—

The arrangement of the crank *f*, pitmen D D, levers E E, and brushes G G with the stationary arm H, weight C, and operative mechanism, and the portable box or case A, adapted to be hung up in any desired place, as and for the purpose specified.

In testimony that I claim the foregoing as my own I affix my signature in presence of two witnesses.

FREDERICK W. JONES.

Witnesses:

HENRY L. RICKENBAHER,
J. P. HARLEY.