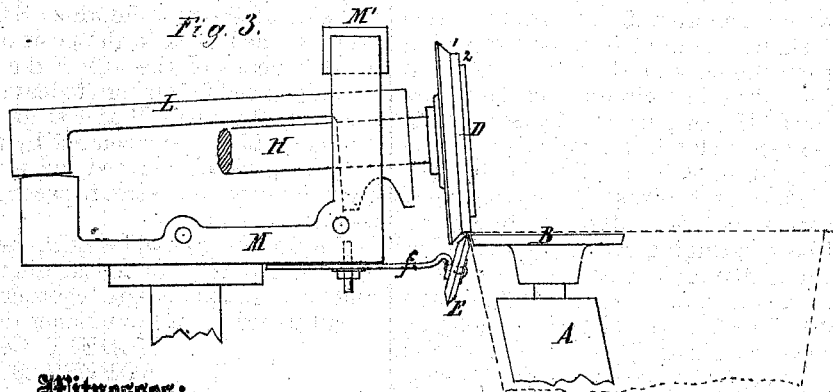
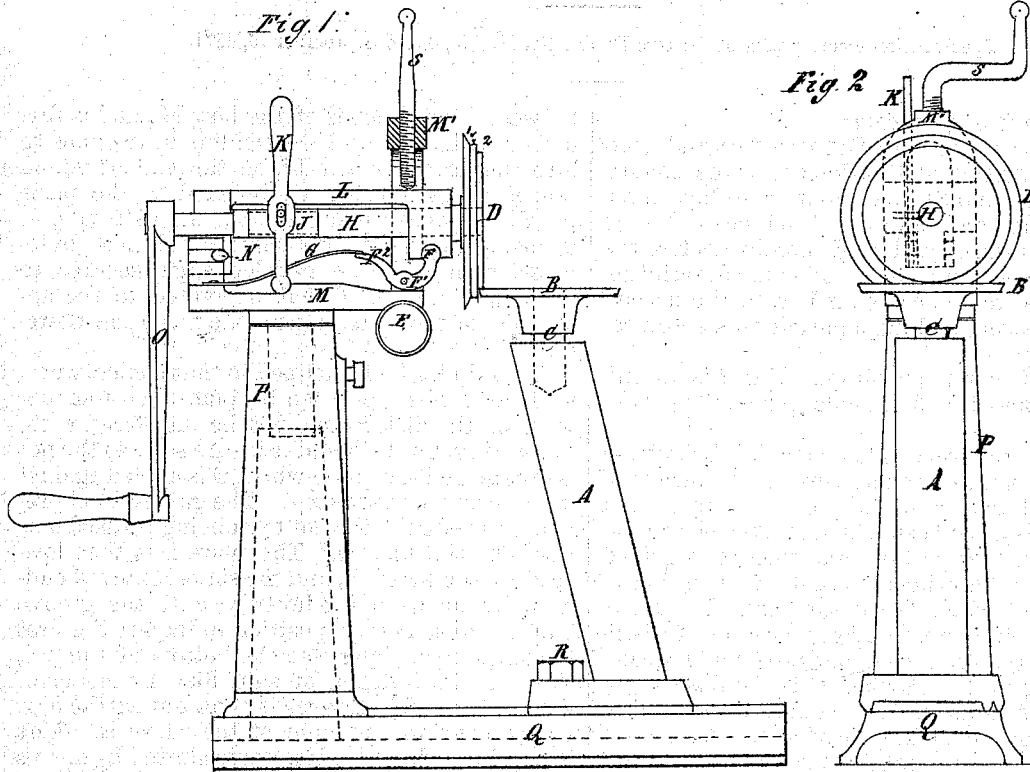


McDUFF COHEN & R. M. EDMONDS.

Improvement in Machines for Double-Seaming Tin Ware.

No. 119,123.

Patented Sep. 19, 1871.



Witnesses:

H. J. Tracy
Thomas D. O. Curran

Inventor:

McDuff Cohen.
R. M. Edmonds.

PER

Wm. C.
Attorneys.

UNITED STATES PATENT OFFICE.

McDUFF COHEN AND ROBERT M. EDMONDS, OF CHARLESTON, SOUTH CAROLINA.

IMPROVEMENT IN MACHINES FOR DOUBLE SEAMING TINWARE.

Specification forming part of Letters Patent No. 119,123, dated September 19, 1871.

To all whom it may concern:

Beit known that we, McDUFF COHEN and ROBERT M. EDMONDS, of Charleston, in the county of Charleston and State of South Carolina, have invented a new and Improved Machine for Double Seaming Tinware; and we do hereby declare the following to be a full, clear, and exact description of the same, reference being had to the accompanying drawing making a part of this specification, in which—

Figure 1 is a side elevation. Fig. 2 is an end elevation; and Fig. 3, an enlargement of part of Fig. 1.

This invention relates to a machine for putting double seams into circular tinware by means of a horizontal disk on which the article rests, and a vertical disk, between which and the horizontal disk the article is pressed, and where it is guided by an adjustable wheel separate from either of said disks, of which latter the vertical one has two parallel circumferential grooves, one of which begins and the other completes the double seam.

Referring to the drawing, Q is the base of the machine. A is an inclined standard, secured to the base Q by a bolt, R, whose foot fits in a groove in the base so as to make the standards adjustable. C is a vertical bolt, placed in a recess in the top of the standard A. B is a horizontal disk, placed on the top of the bolt C. D is a vertical disk with two circumferential grooves, 1 2. H is a horizontal shaft, mounted in webs projecting downward from the ends of the top plate L. J is a half-tube, fitting in a circumferential recess made in the shaft H. A pin on the outside of the half-tube J enters a slot in a lever, K, which is pivoted to the bottom plate M. P is a hollow column, which is cast on the base Q, and receives, at its top, a stem from the bottom plate M. M' is a vertical bow, springing from the front end of the plate M, and fitting in slots in the sides of the plate L. A screw, S, passes through the top of the bow M' and rests on the plate M. A tongue, extending downward from the rear web of the plate L, enters a central groove formed crosswise of the rear web of the plate M. Pins N, projecting from the sides of the said tongue, enter a groove formed in the web of the plate M. F is the circular head of an arm, F¹, that is pivoted

between the branches of the bow M', and is furnished with a prong, F², extending in an opposite direction from the arm F¹, on the end of which arm F² bears a spring, G, fastened to the plate M. A spring, pressing against the half-tube J, keeps the latter on the shaft H. E is a guide-wheel with a double-beveled edge, secured to one end of a lever, f, that is pivoted to the under side of the plate M, near the front end thereof.

The standard A is inclined so that conical ware, such as coffee-pots, can be placed bottom upward on the disk B and not be interfered with, in rotating, by the standard. As soon as the pot is thus placed the guide-wheel E is moved against it by means of the lever f. The guide-wheel prevents the edge of the pot from being pressed upward by the disk D. The plate L is then lowered by the screw S, and the shaft H moved endwise, by means of the lever K, until the groove 1 of the disk D is in position to impart the first bending to the flange, at the bottom of the pot, through the rotation of said disk by means of the crank O. The flange *i* is bent, during the first stage, down to the edge of the wheel E. This being done, the shaft H is again shifted by means of the lever K and screw S until the groove 2 of the disk D is in position to impart the final bending to the flange *i*, which brings it close against the side of the pot, the wheel E in the mean time being turned back to the position shown in Fig. 1. By means of the arm F the plate L is then quickly raised far enough to leave sufficient space between the disks B and D for the removal of one pot and its replacement by another.

Having thus described our invention, what we claim as new and desire to secure by Letters Patent, is—

The double-grooved disk D, the double-beveled disk E, and the horizontal disk B, constructed and arranged to operate together without change or substitution, in the manner described.

McDUFF COHEN.
ROBERT M. EDMONDS.

Witnesses:

ASHER D. COHEN,
F. J. WINKLER.

(112.)