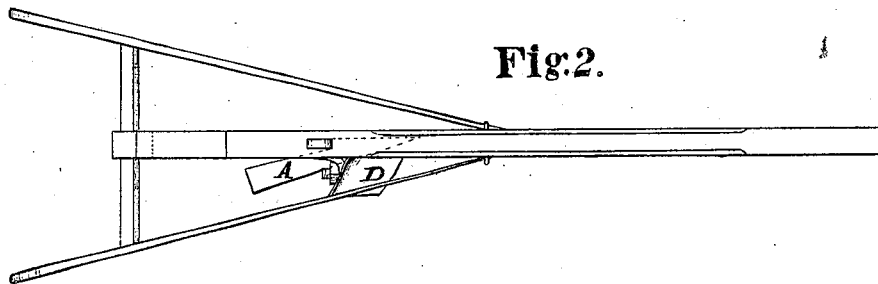
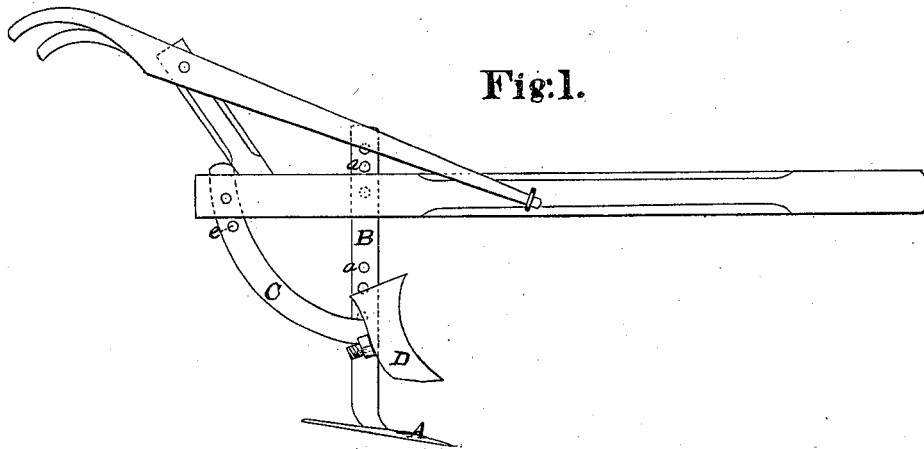


*R. S. Crockett,*

*Plow.*

*No. 108,975.*

*Patented Nov. 8. 1870.*



*Witnesses.*  
*Villette Anderson,*  
*Chas. Kenyon,*

*Inventor.*  
*R. S. Crockett,*  
*Chipman Hosmer & Co*  
*Attorneys.*

# UNITED STATES PATENT OFFICE.

ROBERT S. CROCKETT, OF ROSSVILLE, SOUTH CAROLINA.

## IMPROVEMENT IN PLOWS.

Specification forming part of Letters Patent No. 108,975, dated November 8, 1870.

*To all whom it may concern:*

Be it known that I, ROBERT S. CROCKETT, of Rossville, in the county of Chester and State of South Carolina, have invented a new and valuable Improvement in Plows; and I do hereby declare that the following is a full, clear, and exact description of the construction and operation of the same, reference being had to the annexed drawings, making a part of this specification, and to the letters and figures of reference marked thereon.

Figure 1 of the drawings is a representation of a side view of my invention. Fig. 2 is a top view of the same.

My invention relates to plows; and it consists in the construction of a combined subsoil and surface plow, whereof the parts may be used separately in either capacity, or together in turning and subsoiling the land at the same time, the subsoil-point being capable of adjustment with respect to its depth in the earth below the turning-mold.

The letter A of the drawings designates a steel subsoil-point secured to the end of the adjustable upright bar B, provided with a series of perforations, *a a*, whereby it is bolted to the plow-beam, and to the end of the metal arc or brace C.

D represents the turning-mold, secured to a flange formed on the end of the curved brace C, which is fastened to the upright bar at its

lower end, and at its upper end to the rear of the plow-beam. The curved brace is made adjustable by means of a series of perforations, *e e*, at its upper end. This arrangement is simple, and the parts are strong and durable.

By means of such a plow, the surface may be turned at the same time that the subsoil is loosened, the point being easily adjusted to move at any required depth below the turning-mold.

When it is desired to alter the pitch of the mold-board and to bring it nearer the plow-beam, it may be accomplished by means of the perforations in the rear portion of the curved brace.

What I claim as my invention, and desire to secure by Letters Patent, is—

In combination with the upright adjustable perforated bar B, carrying a subsoil-point, A, the adjustable curved brace C, bearing a turning-mold, D, when constructed and arranged to operate in the manner and for the purposes specified.

In testimony that I claim the above I have hereunto subscribed my name in the presence of two witnesses.

R. S. CROCKETT.

Witnesses:

J. H. MCDANIEL,  
JOHN LEE.