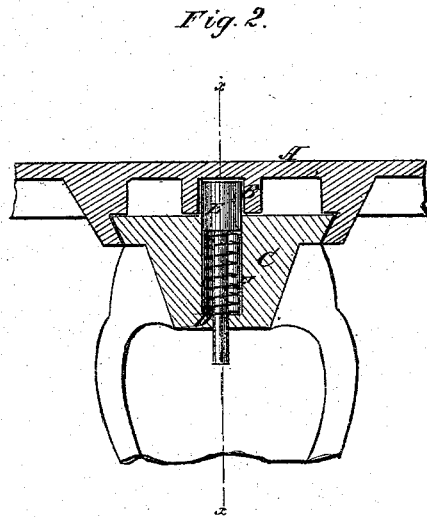
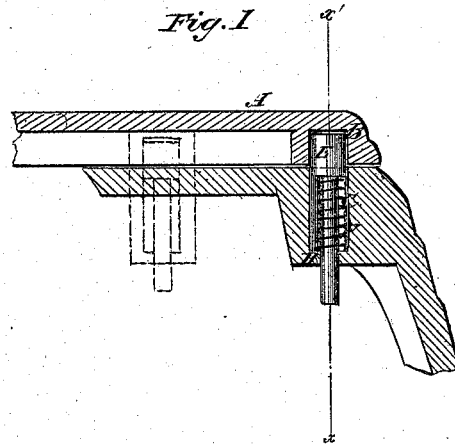


F. MOON.
Stove-Leg Fastener.

No. 103,354.

Patented May 24, 1870.



Witnesses:
Gustave Dieterich
W. S. Mabee

Inventor:
F. Moon
PER *Wm. S. Mabee*
Attorneys.

United States Patent Office.

FRANK MOON, OF NEWBERRY COURT-HOUSE, SOUTH CAROLINA.

Letters Patent No. 103,354, dated May 24, 1870.

STOVE-LEG FASTENER.

The Schedule referred to in these Letters Patent and making part of the same

To all whom it may concern:

Be it known that I, FRANK MOON, of Newberry Court-House, in the district of Newberry and State of South Carolina, have invented a new and Improved Stove-leg Fastener; and do hereby declare that the following is a full, clear, and exact description thereof, which will enable others skilled in the art to make and use the same, reference being had to the accompanying drawings forming part of this specification.

This invention relates to improvements in securing the legs to stoves, and consists in the application to the leg of a spring bolt, and in providing a socket in the underside of the bottom plate of the stove, so arranged that when the leg is shoved "home" in the dovetail groove, the bolt will be thrown up into the socket, and prevent the leg from working out of the groove.

A stem of the bolt projects down through the leg, to be taken by the finger, to pull it out of the socket when the leg is to be raised.

Figure 1 is a sectional elevation of a part of a leg and part of the bottom plate of the stove.

Figure 2 is a section of the same, perpendicular to the plane of fig. 1.

Similar letters of reference indicate corresponding parts.

A is the bottom plate of the stove.

B, the socket therein.

C is the stove-leg.

D, a socket in it.

E, a bolt, working in the socket; and

F, is a spring, arranged to throw the bolt up into the socket B, when the leg is in position, and hold the bolt there until it is pulled down to release the leg,

by taking hold of the small end projecting downward through the leg.

This bolt will effectually prevent the leg from working loose while supporting the stove, thereby preventing the stove from falling over, and endangering the house, as is now sometimes the case, when falling while containing fire.

This mode of fastenening is also applicable to stoves now in use, which have a downward projecting flange at the edge of the bottom plate, behind which the bolt can engage, as well as in the recess above described.

The bolts may have square or other angular upper ends, set eccentrically to the axis, and so arranged that the distance of each side of the square, from the center, will be different from the others, so that, by adjusting the bolt axially, the side of the square which is the requisite distance from the axis to bear against the flange of the stove and hold the legs from working out, may be brought to bear on the flange.

To prevent the bolts from turning, they should have another square part fitting in a square hole in the leg, when in position, but dropping down out of it, for turning and raising up again by the action of the spring.

Having thus described my invention,

I claim as new and desire to secure by Letters Patent—

The combination, with the bottom plate A and the leg C, provided with recesses, as described, of the bolt E and spring F, substantially as specified.

FRANK MOON.

Witnesses:

JAS. F. GLENN,

W. J. LAKE.